



# MV-210

## DOUBLE ORIFICE AIR RELEASE VALVE

Production Standards	
Size Range	DN50 - DN200
Pressure Range	PN10 - PN16
Design	EN1074-4
Connection	EN 1092-2 ISO 7005-2
Marking	EN 19
Tests	EN 12266
Coating	Electrostatic Powder Epoxy
Temperature	+130 °C



210

### Product Description

MV-210 Double Orifice Valves have one air inlet and outlet. The air inlet small orifice chamber is assigned for releases small volumes of air and big orifice for inlet relief of large volumes of air during emptying and refilling the pipeline due to maintenance works and after installation.

### Application Areas

- Water transmission
- Water distribution
- Pump suction line
- Next to by-pass valve

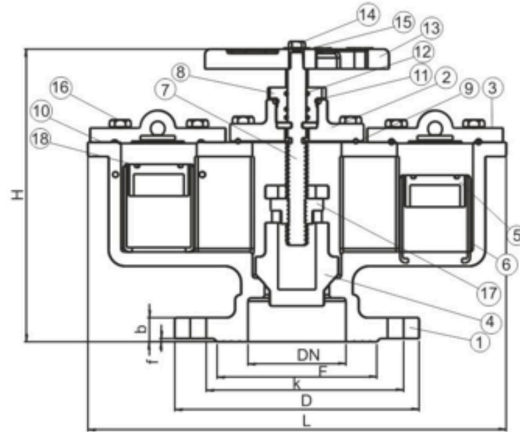
### Product Features

- Have two chambers.
- Float parts made of polyethylene which increase the corrosion resistance.
- Do not have vacuum function.
- Body and cover of ductile iron with flanged connection.
- Fully coated body and bonnet meets the hygienic requirements of the potable water networks.
- During pipeline services, it enables the air accumulation and discharge out of pipeline.
- Working pressure range 0.2 - 16 bar.





## Technical Data



No	Part	Material
1	Body	GG25 Cast Iron / GGG50 Ductile Iron
2	Mid-Cap	GG25 Cast Iron / GGG50 Ductile Iron
3	Cover Side	GG25 Cast Iron / GGG50 Ductile Iron
4	Slide	GGG50 Ductile Iron
5	Disc	Polyethylene
6	Disc Container	Polyethylene
7	Shaft	AISI 420 Stainless Steel
8	Ragor	GGG50 Ductile Iron
9	Mid-Gap Gasket	EPDM

No	Part	Material
10	Cover Gasket	EPDM
11	Cover O-Ring	EPDM
12	Ragor O-Ring	EPDM
13	Handwheel	GG25 Cast Iron / GGG50 Ductile Iron
14	Handwheel Bolt	8.8 Galvanized Steel
15	Handwheel Washer	Sheet
16	Bolt Nut	8.8 Galvanized Steel
17	Movement Nut	MS58 Brass
18	Disc O-Ring	EPDM

DN	PN	D	K	d	lxn	f	b	H
50	10/16	165	125	99	19x4	3	20	275
65	10/16	185	145	118	19x4	3	20	275
80	10/16	200	160	132	19x8	3	20	280
100	10/16	220	180	156	19x8	3	24	280
125	10/16	250	210	184	19x8	3	26	280
150	10/16	285	240	211	23x8	3	26	400
200	10	340	295	266	23x8	4	26	400
200	16	340	295	266	23x12	4	30	400