



MV-220

DYNAMIC TRIPLE FUNCTION ARV

Production Standards

Size Range	DN50 - DN250
Pressure Range	PN10 - PN16
Design	EN1074-4
Connection	EN 1092-2 ISO 7005-2
Marking	EN 19
Tests	EN 12266
Coating	Electrostatic Powder Epoxy
Temperature	+130 °C



220

Product Description

MV-220, the purpose of such type of air valve is to protect a pipeline from damages, associated with water hammer, flow reduction, or pressure fluctuations by releasing the air from the water supply line or letting it in.

Application Areas

- Water transmission
- Plunger and turbine pumps
- Water distribution
- Pump suction line
- Peaks points on pipeline

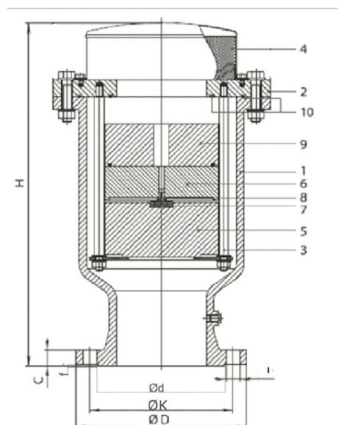
Product Features

- Efficient ventilation protects pipeline from vacuum related damages.
- Air outlet diameter and the inlet diameter have the same size.
- Prevents the early closure problem.
- Main three functions are realizing air particles under pressure, air vacuum while emptying the pipeline and air release during filling the pipeline.
- Compact body design and low weight provides advantage during installation and operation.
- HDPE float parts are highly resistant to corrosions.
- Stainless steel internal parts are excellent for corrosion protection.
- Ductile body with flanged connection.
- Screwed end air release valves can be manufactured for special orders.





Technical Data



No	Part	Material
1	Body	GGG50 Ductile Iron
2	Bonnet	GGG50 Ductile Iron
3	Float Guide	Stainless Steel
4	Top Bonnet	Stainless Steel
5	Float	HDPE
6	Float	HDPE
7	Small Orifice Seal	EPDM
8	Small Orifice	Stainless Steel
9	Float	HDPE
10	O-Ring	EPDM

Technical Data

DN	PN	D	K	d	f	C	lxn	H	Kg
50	10/16/25	165	125	99	3	20	Ø19x4	267	11
65	10/16/25	185	145	118	3	20	Ø19x4	267	11,5
80	10/16/25	200	160	132	3	22	Ø19x8	310	17
100	10/16	220	180	156	3	24	Ø19x8	324	24,5
100	25	235	190	156	3	28	Ø23x8	328	26
125	10/16	250	210	184	3	26	Ø19x8	326	25
125	25	270	220	184	3	30	Ø28x8	330	28
150	10/16	285	240	211	3	26	Ø23x8	422	45
150	25	300	250	211	3	34	Ø28x8	430	48
200	10	340	295	266	4	26	Ø23x8	487	70
200	16	340	295	266	4	30	Ø23x12	491	70
200	25	360	310	274	4	34	Ø28x12	495	75