

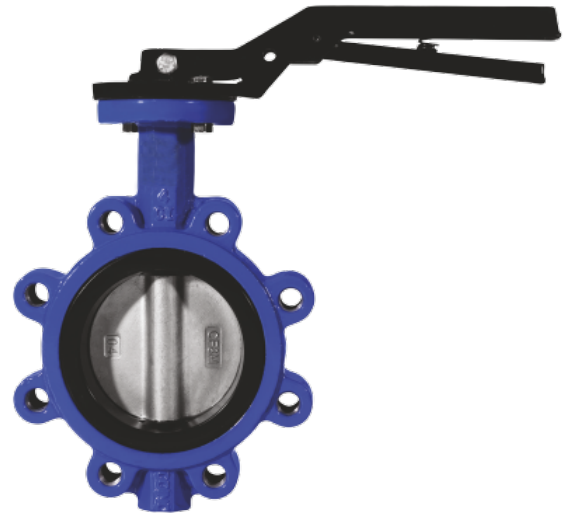


# MV-520 MV-521

## LUG TYPE BUTTERFLY VALVES

Production Standards	
Size Range	DN40 - DN600
Pressure Range	PN6 - PN10 - PN16
Design	EN 593
Connection	Lug type EN 1092-1 ISO 7005-1
Face to face	EN 558 Series 20
Marking	EN 19
Tests	EN 12266-1
Coating	Electrostatic Powder Epoxy
Temperature	EPDM: +120 °C NBR: +100 °C VITON: +180 °C

520 521



### Product Description

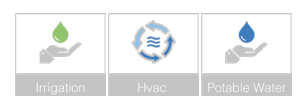
MV-520 LUG Type Butterfly Valves are designed with threaded tapped lug positioned on the valve flanges for bolt connections. Lug-style butterfly valves are suitable for end of line service but a blind flange is always recommended. The disc is placed between two flanges in the pipeline. The EPDM valve seat ensures strong seal between the valve and the flange connection. Lug type butterfly valve are quarter turn valves which is used to stop, regulate and start flow.

### Application Areas

- Pipelines
- HVAC systems
- Water Treatment Plants
- Reservoirs and Tanks
- Irrigation
- Industrial Applications

### Accessories

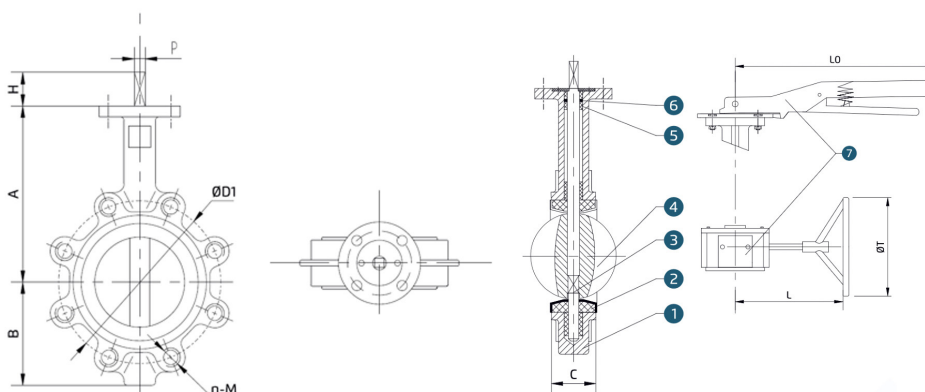
- Extension spindle
- Surface box
- T-key
- Position indicator





## Product Features

- Nickel coated ductile iron 304, 316 discs are available with EPDM, NBR and VITON seat options.
- Machined disc ensures lower and regular torque
- Sealing in both directions of circulation of the piping.
- Bi-directional use, tight sealing in both ways
- The advantages are lightweight, easy installation and cost effectiveness
- Soft sleeve guaranteeing a perfect tightness.
- Extended neck compatible with pipe lapping
- Reduced head losses.
- Can be installed in any desired position
- Maintenance free



No	Part	Material
1	Body	Cast Iron / Ductile Iron
2	Seat	EPDM
3	Shaft	SS416
4	Disc	CF8 - Ductile Iron
5	Bushing	PTFE
6	O-Ring	NBR
7	Lever / Gear	-

DN	A	B	H	P	C	ISO 5211	L0	T	L	D1	PN16
40	125	68	30	9	33	F05	215	137	150	110	4-M16
50	129	73	30	9	42	F05	215	137	150	125	4-M16
65	137	82	30	9	44.7	F05	215	137	150	145	4-M16
80	144	95	30	9	45.2	F05	215	137	150	160	8-M16
100	163	109	30	11	52.1	F07	260	137	150	180	8-M16
125	179	125	30	14	54.4	F07	260	137	150	210	8-M16
150	198	144	30	14	55.8	F07	260	137	150	240	8-M20
200	237	173	35	17	60.6	F10	355	269	207	295	12-M20
250	281	211	35	22	65.6	F10	355	269	207	355	12-M24
300	318	244	35	22	76.9	F10	355	269	207	410	12-M24