



MV-700 Y-STRAINER

Production Standards

Size Range	DN15 - DN600
Pressure Range	PN10 - PN16
Connection	En1092-2 ISO 7005 Flanged
Face to face	EN 558 Series 14 / DIN 3202 F1
Marking	EN 19
Tests	EN 12266-1
Coating	Electrostatic Powder Epoxy
Temperature	+200 °C

700



Product Description

Y-Strainers are very crucial component of the piping systems that protect pumps, meters, control valves and other mechanical equipment on the pipeline from the dirt and other solid particles carried by the fluid. Y-Strainers are named after their shape.

Application Areas

- Water&Waste water systems
- Tanks and Reservoirs
- Pumping stations
- Seawater applications
- Chamber Installation

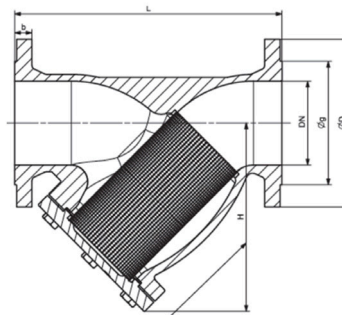
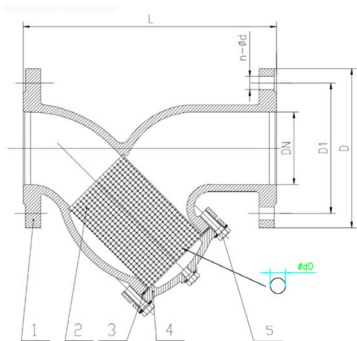
Product Features

- Filters mass particles inside the flow by steel filter chamber placed in the body.
- Can be installed horizontally and vertically as long as filters faces downwards.
- Long service life by stainless steel filter
- Screen mesh filter can be replaced by removing cover part.
- Mesh size is chosen according to wide range applications.
- Inner and outer surfaces coated by powder epoxy.
- Filtration of the metallic particles is achieved by magnetic rod that applied on cover part.





Technical Data



No	Part	Material
1	Body	Ductile Iron
2	Screen	AISI 304 Stainless Steel
3	Seating	EPDM
4	Bonnet	Ductile Iron
5	Bolt	A2 Stainless Steel

DN	L	D	g	H	b	Mesh
50	230	165	99	145	19	10
65	290	185	118	165	19	10
80	310	200	132	175	19	7
100	350	220	156	235	19	7
125	400	250	184	265	19	7
150	480	285	211	300	19	4
200	600	340	266	340	20	4
250	730	405	319	390	22	4
300	850	460	370	440	24.5	4
350	980	520	429	520	26.5	4
400	1100	580	480	630	28	4
500	1250	715	609	900	31.5	4
600	1450	840	720	1100	36	4